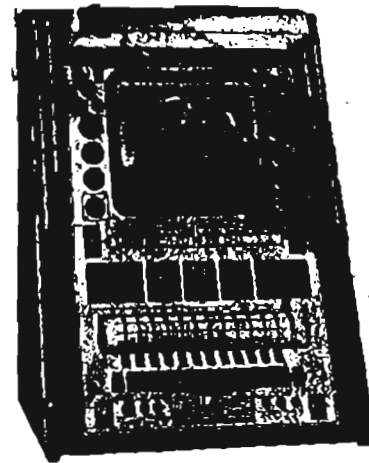
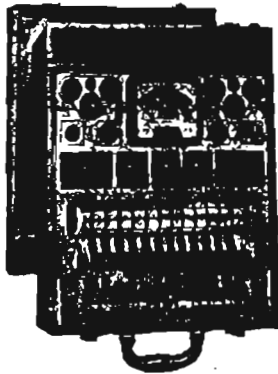


OPERATING INSTRUCTIONS

FOR



SERIES 10-12 AND 10-15



*Reg. Pend. U. S. Patent Office

PRECISION APPARATUS COMPANY, INC.
92-27 HORACE HARDING BLVD. • ELMHURST, NEW YORK

CONDENSED TUBE TESTING INSTRUCTIONS
(Series 10-12, 10-15, 10-20, 10-22 and 10-54 TUBE AND TEST MASTERS)

CAUTION: READ THE COMPLETE INSTRUCTION MANUAL BEFORE ATTEMPTING TO OPERATE THIS INSTRUMENT; USE THESE CONDENSED INSTRUCTIONS ONLY AS A SIMPLIFIED GUIDE FOR TEST OF STANDARD TYPE TUBES.

Depress "OFF" Button and connect attachment plug to 110-125 volts, 50-60 cycle source.

Set Controls "A", "B", "C", "D" and "E" to positions listed on roller chart.

RETURN ALL LEVERS TO "NORMAL" POSITION by use of the "Lever Return" mechanism.

Release "OFF" button by depressing "READ METER" button.

Rotate "LINE ADJUSTMENT" control until meter pointer lines up with "LINE" indication.

Insert tube to be tested and ALLOW TO HEAT.

Re-adjust "LINE ADJUSTMENT" control and throw "TUBE-COND." switch to "TUBE" position.

Perform SHORT/LEAKAGE TESTS by ██████████ing buttons 1 through 12, watching the neon lamp as each button is depressed. If neon bulb glows as any one or more buttons are depressed (WITH THE EXCEPTION OF BUTTONS LISTED UNDER "FIL.CONT.", or those buttons listed as special roll chart notations), the tube should be discarded as defective.

NOTE • ALL LEVERS MUST BE IN "NORMAL" POSITION
BEFORE AND DURING "SHORT/LEAKAGE TESTS"

If short circuits have not been indicated, and neon glow has been obtained on those buttons listed under "FIL.CONT." (and those buttons specifically noted on the roller chart), THEN throw those levers to the positions indicated on the roller chart under headings W-X-Y-Z.

depress the "READ METER" button and observe the tube Quality meter reading.

* * * * * *
* * * * * *

NOTE: Should any question arise concerning the operation, functioning or use of this tester, FIRST consult the related section of your INSTRUCTION MANUAL (including the "Service" Section). If the problem is not answered by the instruction manual, include COMPLETE DETAILS of the problem in your correspondence to the factory. THE MORE EXPLICIT THE DETAILS, THE MORE RAPIDLY AND SATISFACTORILY YOUR PROBLEM CAN BE ANALYZED AND ANSWERED!



PRECISION APPARATUS COMPANY, INC.

92-27 HORACE HARDING BLVD. - ELMHURST, NEW YORK

Export Division: 458 BROADWAY, NEW YORK CITY, U. S. A. • Cables: MOPHANEX

CONTENTS

<u>SECTION</u>	<u>PAGE NO.</u>
A. Introduction and Summary of Features	1
B. Functions and description of controls, switches, levers, etc., incorporated on the panel of THE ELECTRONAMIC TUBE MASTER	2
C. Operating Instructions	4
Filament Continuity, Hot-Cathode Leakage and Inter-element Short Tests	5
Audible Noise Test	5
Tube Quality Indication	5
Special Roller Chart Notations	
Eye tests (electron ray type indicator tubes)	6
FM/AM eye tube tests	6
Special Rectifier tests	7
Special Short indications notes	7
Gas type rectifier note	7
Multi-Section Tube Tests	7
Sub-miniature Tube Tests	7
Tube Brand Variations	8
Pilot Lamp Tests	8
D. Ballast Information	8
Ballast Testing	8
Ballast Resistor Code	9
Ballast Test Procedure	9
E. Qualitative Paper Condenser Tests	10
F. Battery Testing Instructions	11
G. Service Notes	12
H. General Notes and Information	14
I. Principles of "ELECTRONAMIC" Tube Testing	15-16
J. "ELECTRONAMIC" Tube-Master Series 10-12 and 10-15 circuit diagram	
K. Index (alphabetical)	

A. INTRODUCTION:

The Series 10-12 and 10-15 "ELECTRONAMIC" TUBE-MASTERS are modern push button, master-lever type operated Vacuum tube and battery testers, incorporating the ELECTRONAMIC MASTER tube testing circuit, designed by PRECISION engineers to indicate the overall performance merit of a vacuum tube in only one direct meter reading. See Pages 15,16 "PRINCIPLES OF ELECTRONAMIC TUBE TESTING" which details this exclusive "precision" feature.

The MASTER ELEMENT LEVER SELECTOR system incorporated in all ELECTRONAMIC "TUBE-MASTERS" provides the ultimate in testing flexibility and positive insurance against NON OBSOLESCENCE. THE PRECISION "TUBE MASTER" incorporates: 12 individual element selection circuits, all latest type tube sockets, master control socket for tubes yet to be designed, and other carefully engineered PRECISION features. These farsighted features guarantee years of successful and trouble-free vacuum tube testing performance.

SUMMARY OF FEATURES:

1. A "PRECISION" DESIGNED AND ENGINEERED TESTING CIRCUIT; (the "ELECTRONAMIC" circuit) which instantaneously subjects a tube to wide range operating conditions, simultaneous with the application of individual, predetermined element voltages. (See Pages 15 and 16)
2. ACCOMMODATES ALL MODERN TUBE TYPES AND FILAMENT VOLTAGES .75 to 117 volts, including .75, 10, 18.9, 35, 45, 50, 70, 85 and 117 volts. TESTS NOVAL BUTTON 9 PIN TUBES, SUB-MINIATURE TYPES, DOUBLE CAP U.H.F. TYPES, LOKTALS, BANTAM JUNIORS (Miniature Hearing Aid and Pocket Radio Tubes), SINGLE ENDED (T.V. and F.M. Amplifiers) REGULAR OCTALS (MG, G and METALS), SPRAY-SHIELD and GLASS TYPES, MINIATURE 7 PIN TYPES and ACORN TUBES.
3. QUALITATIVE TUBE MEPT readings directly indicated on a single three colored ENGLISH READING SCALE supplemented by a linear scale for tube matching and qualitative comparison purposes.
4. QUALITATIVE DIRECT READING DRY BATTERY TESTS: Tests all popular dry batteries, from 1.5 to 135 volts, under specific predetermined approved loads.
5. DOUBLE WINDOW, BRASS GEAR-OPERATED ROLLER TUBE CHART provides speedy, easy reading tube references. New charts furnished periodically, upon request, as a no-charge PRECISION SERVICE to all registered owners.
6. DUAL FREE-POINT FILAMENT TERMINAL SELECTION locates terminals of ALL filaments (single, double, center-tapped) regardless of rotating pin position common to many modern P.M. and television tubes.
7. VISIBLE FILAMENT CONTINUITY TESTS; rapidly performed by the PRECISION NUMBERED PUSH BUTTON SYSTEM; shows up open filaments for all types of tubes regardless of filament base connections. In addition, this PRECISION feature immediately reveals the open section of tapped filaments.
8. MASTER ELEMENT LEVER OPERATED SELECTOR SYSTEM: This highly important PRECISION feature COMPLETELY ELIMINATES ALL POSSIBILITIES OF INFLEXIBILITY due to unusual multiple tube basing terminations of new tubes and tubes yet to be developed. Maximum speed in the use of the lever system is accomplished by the unique fool-proof MASTER LEVER RETURN MECHANISM which allows for instantaneous return of ALL levers to "Normal" position before testing a tube. Individual time-consuming return of each lever is thereby completely eliminated. In addition, simplified tube analysis is made possible by the standard element numbering system employed.
9. SPECIFIC INDIVIDUAL LOADS AND VOLTAGES (control grid, screen, plate, etc.) applied to each respective element of tube under test.
10. METER READS IN PLATE CIRCUIT ONLY. Indications, therefore, are entirely dependent upon control action and condition of ALL intervening elements.
11. OPEN ELEMENTS: Shows up tubes with open elements. The exclusive "ELECTRONAMIC" TUBE MASTER TEST NECESSITATES ALL ELEMENTS INTACT for proper reading.
12. TESTS diodes, triodes, rectifiers, tetrodes, pentodes, multi-purpose tubes, gaseous types such as OY4, OZ3 and OZ4 and remote control gaseous types such as OA4 and 2A4, regardless of varying filaments or other element positions.
13. MULTI-SECTION TUBES: Individual tests for each section of multi-section tubes including visible tests of the fluorescent screen, winking effect on cathode ray indicator tubes and FM/AM alignment ray indicator tubes. No shifting of tubes is necessary to obtain all tests.
14. HOT CATHODE LEAKAGE TEST: Sensitive neon method quickly shows up poor cathode structure in accord with leakage specifications of leading tube manufacturers.

15. DUAL SENSITIVITY HOT INTER-ELEMENT SHORT TESTS made ingeniously simple through the use of PRECISION Automatic Interlocking Push-Buttons, and lens-protected magnified neon lamp. Double sensitivity is made available through the flip of a switch to permit special application tube selection to more rigid standards.

16. NOISE TEST pin jacks incorporated for earphone or amplifier connection. Each element can be separately noise tested through use of free-point Automatic Interlocking PUSH-BUTTON SYSTEM.

17. BALLAST TEST: The regular tube test sockets accommodate all ballast unit tests for open and loose elements and leakage between sections of multi-section ballasts; made possible through the PRECISION rapid-action Push-Button system.

18. PILOT LIGHT TESTS for all miniature screw base and bayonet type lamps.

19. ACCURACY of the tube test circuit is closely maintained by the use of individual calibrating controls, adjusted and sealed at the factory against laboratory standards, and through use of individual, 1% bridge-calibrated wire wound shunts.

20. LARGE EASY-TO-READ D'Arsonval double-jeweled Meter, accurately balanced and factory-calibrated to within ± 2.0 percent.

21. TUBE SELECTION REFERENCES plainly marked on panel in large easy-to-read characters, eliminating memorization or guesswork.

22. PILOT LIGHT ON-OFF INDICATOR.

23. PANEL MOUNTED FUSE EXTRACTOR POST.

24. MICRO-LINE ADJUSTMENT, read directly on meter, provided by use of continuously variable, heavy duty line voltage control.

25. TELEPHONE-CABLED PLASTIC INSULATED WIRING EMPLOYED THROUGHOUT. Critical circuits individually shielded and by-passed for most accurate tests of very high mutual conductance T.V. and F.M. amplifiers.

26. PAPER CONDENSER LEAKAGE TESTS. SENSITIVE NEON METHOD.

27. TEST CIRCUITS COMPLETELY ISOLATED FROM POWER LINE.

B. FUNCTIONS AND DESCRIPTION OF CONTROLS, SWITCHES, AND LEVERS PROVIDED ON THE INSTRUMENT PANEL.

THE FOLLOWING IDENTIFICATIONS AND DESCRIPTIONS SHOULD BE CAREFULLY READ: FULL FAMILIARITY WITH THE CONTROL FUNCTIONS WILL GREATLY FACILITATE TESTING PROCEDURES:

CONTROL A - Load and Voltage Selector.

This switch selects any one or a combination of loads and plate potentials applicable to the particular tube under test. In addition, Control "A" provides for variation of the basic meter sensitivity, allowing for standardized testing of diodes, low current types, and other special vacuum tubes.

Control "A" is also the function selector for DRY BATTERY TESTING.

CONTROL B - Filament Return Selector.

Control "B" provides free-point filament terminal selection for all type tubes, regardless of filament base termination arrangement.

CONTROL C - Control-grid voltage potentiometer: Provides selected test input circuit potentials which are automatically applied to the control grid selected by the MASTER LEVER SYSTEM.

CONTROL D - Meter sensitivity potentiometer: A special, tapered potentiometer enabling the setting of calibration limits for all tubes as noted on the tube test roller chart.

CONTROL E - Filament voltage selector: Provides a complete range of 17 filament operating potentials from .75 through 117 volts. Control "E" also functions as DRY BATTERY TEST RANGE SELECTOR when switch "A" is set to "BATTERY TEST" position.

MASTER LEVER SWITCH (Master element selector)

This MASTER switch consists of 12 individual 5 position switches. Each switch is individually numbered from 1 through to 12. Each number represents a tube element number as listed by Tube Manufacturers and the Radio Manufacturers Association. For example, consider the case of a screen grid tube type 6SJ7. The tube element numbering, as listed in standard tube manuals, is as follows:

Pin 1 - No Connection
 Pin 2 - Heater
 Pin 3 - Suppressor
 Pin 4 - Control grid
 Pin 5 - Cathode
 Pin 6 - Screen grid
 Pin 7 - Heater
 Pin 8 - Plate

When a type 6SJ7 tube is inserted into its socket, pin 1 of the tube is automatically connected to Master lever 1; pin 2 to Master lever 2; pin 3 to Master lever 3; etc. (Each numbered lever, therefore, controls the application of its corresponding tube element into the appropriate tube test circuit.) It will be noted that each Master lever can be thrown into any one of 5 positions, indicated as: W, X, Y, Z and "Normal". The normal purposes of these positions are listed as follows:

Position "W" - Open position. Any lever thrown to the "W" position open-circuits its corresponding tube element.

Position "X" - Screen Grid position. In the case of the 6SJ7, element 6 is screen grid. Lever 6 therefore, becomes the screen lever, and this lever is thrown to position "X".

Position "Y" - Plate circuit position. Element 8 of type 6SJ7 is a plate. Lever 8, therefore, becomes the plate lever and this lever is thrown to "Y" position.

Position "Z" - Grid circuit position. Element 4 of 6SJ7 is control grid. Lever 4, therefore, becomes the grid lever and this lever is thrown to "Z" position.

Position "Normal" - Common termination to cathode and/or reference potential.

All elements requiring a "normal" or cathode potential level such as Suppressor grids, cathode, etc. are accordingly accommodated by leaving the corresponding levers in "Normal" position.

It is therefore seen that the complete lever setting for type 6SJ7 tube is simply set up as follows:

W	X	Y	Z
-	6	8	4

Only 3 levers in this example require actuation. All other levers are untouched and are left in the "NORMAL" position.

Although the connecting network of the MASTER LEVER SELECTOR appears complicated behind the instrument panel, its operation from the top of the panel is unusually simple and straight-forward!

THE LINE ADJUSTMENT CONTROL

This control permits adjustment for the operating line voltage when the meter pointer is brought to the arrow-head center of the scale plate marked "LINE". This control is a heavy duty, continuously variable, wire wound potentiometer, assuring step-free, positive, micro-voltage adjustment.

THE PUSH BUTTON SYSTEM

1. Buttons 1 through 12. These buttons, in conjunction with the dual sensitivity neon test circuit, permit rapid short and leakage check of all tube elements, merely by consecutively depressing buttons 1 through 12 and observing the neon lamp indications. Visible filament continuity tests are also provided by the push button system in conjunction with data listed under "Fil.Cont." on the roller chart.

"READ METER" BUTTON. This button (when held down) provides the meter reading for tube performance quality tests. When depressed, it also automatically releases any other buttons which may have previously been depressed.

"OFF" BUTTON. This button (when in the down or depressed position), shuts the instrument OFF. To turn the instrument ON, the "Read Meter" button is depressed, releasing the OFF button.

SOCKETS

This instrument incorporates the new Noval Button 9 pin, 8 contact acorn, loktal, combination 7 prong, Button 7 pin, Bantam Jr., 6 prong, 5 prong and 4 prong sockets, and also a special 12 prong socket which provides a centralized terminal for direct access to all 12 tube testing circuits. See General Notes and Information.

All tube analyses, i.e., filament continuity, hot cathode leakage, hot neon short check, tube quality tests and ballast unit tests, are obtained from each of the test sockets, in accordance with the type of tube base involved.

OVERHEAD CONNECTOR CAPS ("Grid Caps")

Three separately functioning grid caps are employed:

1. BLACK DUAL CAP (accommodates both large and small type tube-caps), is used for all single capped tubes other than pin type caps.
2. RED DUAL CAP (accommodates both large and small type tube caps), is used only in conjunction with tubes having 2 caps (such as type 2C22) OR in accordance with special instructions (roll chart).
3. SMALL BLACK PIN CAP. Used in conjunction with acorn type tubes and others incorporating similar pin type caps.

THE METER employed is of rectangular, modern design, incorporating ruggedly constructed, D'Arsonval type movement of 2% accuracy. Tube performance Merit is read directly on a non-confusing 3 colored REPLACE-WEAK-GOOD arc, supplemented by a linear reference scale for tube-matching purposes.

TUBE-COND. SWITCH: This switch, in the "TUBE" position adjusts the short check circuit sensitivity in conformity with recommended practice. In the "COND" test position, extra-high sensitivity is provided for special purpose tube selection and qualitative check of paper condensers.

THE PILOT LIGHT TEST SOCKET located in center of combination 7 prong socket, accommodates all miniature screw and bayonet base pilot lamps.

FUSE EXTRACTOR POST: This post accommodates a type 3A0, 1 ampere fuse, conveniently replaceable from front of panel.

NOISE TEST PIN JACKS: These jacks provide for audible tube noise tests.

NEON LAMP SHORT INDICATOR: This lamp, (a sensitive G.E. type NE 57), is protected by a removable magnifying lens. Replacement of the bulb is simply effected after the lens cap has been slipped out. (The lens is NOT screwed on - It is a simple, positive friction-fit unit).

CONDENSER TEST TIP JACKS: These tip jacks provide for qualitative paper condenser tests and neon lamp continuity checking.

ROLLER CHART: The double-window, brass geared, tube-test data roller chart, (rotated through use of the thumb-actuated roller wheel) provides for trouble-free rapid access to all standard tube test settings. See back of instruction manual for test data covering special purpose tubes and tube types infrequently encountered.

C. GENERAL OPERATING INSTRUCTIONS

With "OFF" button depressed, connect the attachment plug of the instrument to any 50-60 cycle 110-125 volt A.C. source.

By means of the "Return Lever" on the right side of the MASTER LEVER DRUM, throw ALL levers to the NORMAL position.

Refer to the tube test roller chart for the tube test number to be tested and set CONTROLS "A", "B", "C", "D", and "E" to positions designated for that tube.

NOTE: For simplicity in locating any tube type number, it will be helpful to note that all tubes are listed in strict numerical order beginning at the top of the left hand window opening, continuing downward to the end of the roll and thence to the top of the right hand window opening, etc.

Press (and then remove finger from) the "READ METER" button to turn instrument "ON". (It will be noted that the "OFF" button is thereby released to the up or ON position.) Then rotate the "LINE ADJUSTMENT" control knob to bring pointer of meter to the arrow-head (center of scale) marked "LINE".

NOTE: "LINE" indication will be had on the meter ONLY when CONTROL "A" is set to one of the tube-test positions 1 through 7.

Insert tube to be tested into its respective socket and allow the tube to heat. (Use Black or pin type overhead-cap connector when necessary.) See Page 4 for use of RED cap connector. Any deviation of the meter pointer from the "LINE" position (after tube has heated) should be corrected by rotating the "LINE ADJUSTMENT" knob to bring the meter pointer back to arrow-head (center of scale).

CAUTION: In order to place the least amount of mechanical strain upon "acorn" type tubes, they should be inserted into the acorn socket in accordance with the following method: FIRST press the three grouped contacts into their corresponding socket clips, then press the remainder of the pins into place. The tube should be removed in reverse procedure.

FILAMENT CONTINUITY HOT CATHODE LEAKAGE AND INTER-ELEMENT SHORT TESTS.

After settings are made (as noted on Page 4) WITH ALL LEVERS IN THE "NORMAL" POSITION, then proceed to obtain these tests by simply depressing the numbered push buttons 1 through 12, in consecutive order. Watch the neon lamp SHORT INDICATOR for glow or continuous flicker. The tube under test should be LIGHTLY tapped during short tests, to reveal loose elements which might become shorted under vibration.

IMPORTANT: NEON LAMP SHOULD GLOW ONLY ON THOSE BUTTONS DESIGNATED ON TUBE CHART FOR FILAMENT CONTINUITY, ("FIL.CONT.") OR ON THOSE ADDITIONAL BUTTONS SPECIFICALLY NOTED ON THE ROLLER CHART.

Inasmuch as the filament of the tube under test is disengaged when the "Fil.Cont." buttons (designated on the roll chart) are depressed, it is necessary that these buttons be immediately returned to normal position (by depressing any other button) and thereby allowing the tube to remain in a heated condition for further test. The tube under test should be rejected as defective (open filament) if neon lamp fails to glow when the designated Filament Continuity Buttons are depressed.

* * * * *

DISREGARD ANY MOMENTARY NEON LAMP FLASHES AS BUTTONS ARE DEPRESSED. These flashes are merely the discharge of the blocking condenser in the short check circuit.

* * * * *

NOTE: Inasmuch as the short check push button numbers directly coincide with socket prong numbers, it becomes apparent that the operator (for short check purposes) need only depress that quantity of buttons equal to the number of socket prongs involved. For example: If tube under test inserts into the 4 prong socket, then only buttons 1 through 4 need be short-checked; if the tube inserts into the 5 prong socket, then buttons 1 through 5 are the only ones involved, etc. If a top grid cap is present, then add button #11 to the short check procedure.

A discernible neon lamp glow or continuous flicker, when any one of the numbered buttons "1 to 12" are depressed, (with the exception of the designated filament continuity buttons) indicates an inter-electrode high resistance leakage or short and the tube should be rejected without further testing, (unless otherwise noted on the tube test roller chart). Inasmuch as these tests are made while the tube is in a heated condition, the tube should be allowed time to heat up sufficiently. In this manner, shorts or leakage that may occur due to expansion of internal elements can be more readily detected.

Because all tube elements connect to individually numbered push-buttons, there is no necessity to employ a separate cathode leakage button. Cathode leakage will be detected when the respective button, (corresponding to a particular tube's cathode), is depressed.

NOTE: Push-buttons 1 through 12 are numbered in accordance with standard tube basing sequence. Should short indications be obtained on any one or more buttons, (for example on buttons 5, 6 and 8), then the tube elements, corresponding to tube pins No. 5, 6 and 8 are either internally shorted or are connected through low leakage paths to other elements of the tube.

AUDIBLE NOISE TEST.

An audible noise test of defective and noisy tubes can be had, if desired, by inserting an earphone or audio amplifier system into the "NOISE TEST" tip jacks. The testing procedure is the same as outlined for obtaining HOT CATHODE LEAKAGE TEST AND HOT INTER-ELECTRODE SHORT TEST described previously.

An intermittent or constant LOUD audible hum when making CATHODE LEAKAGE AND HOT INTER-ELECTRODE SHORT TESTS, will indicate loose or shorted tube elements, a possible cause for fading and noisy radio reception. A loud audible hum when either of the "Fil.Cont." buttons is depressed, is normal and is indicative of a continuous filament.

DO NOT ATTEMPT TO OBTAIN TUBE QUALITY METER INDICATION UNTIL AFTER SHORT TESTS ARE MADE, ELSE SERIOUS DAMAGE MAY RESULT TO INSTRUMENT.

TUBE QUALITY INDICATION (TUBE PERFORMANCE MERIT)

AFTER SHORT AND FILAMENT CONTINUITY CHECKS AND LINE ADJUSTMENTS HAVE BEEN ACCOMPLISHED, throw the levers indicated (on the roll chart) under "W-X-Y-Z" to the positions called for. All other levers MUST REMAIN IN NORMAL POSITION.

Then depress the "HEAD METER" button and obtain the (PERFORMANCE MERIT) Quality Indication.

NOTE: The flexible element selection circuit of the ELECTRONAMIC TUBE AND TEST MASTERS allows for either series or parallel connection of center-tapped filaments. In order to obtain uniformity of test settings and to minimize operating errors, all

tubes with center-tapped filaments are tested in parallel connection. Should the neon lamp fail to glow when any one of the push buttons (listed on the roller chart under "Fil. Cont.") are depressed, (during filament continuity test), the tube should be discarded.

If, however, one section of a center tapped filament be indicated to be open-circuited, and for some reason the operator does perform a Quality test, it will be found in many cases that a reading in the upper section of the red, "Replace" sector can be obtained. This is, of course, due to the parallel filament connection. The intact portion of the filament is still operating and causing a partial meter reading to be obtained. Such tubes should have been previously discarded as the result of the "Fil.Cont." test failure.

SPECIAL ROLLER CHART NOTATIONS

"Eye Tests (electron ray type indicator tubes)

By means of the flexible multi-channel circuit design of the PRECISION "MASTER" tube testers, three types of tests are performed upon standard and FM types of eye and alignment indicator tubes aside from the standard triode performance test.

Single Target Type. This type is typified by types 6E5 and 6O5: For example, a roller chart line for type 6E5 appears as follows:

TUBE	SECTION	A	B	C	D	E	Lever				Fil.Cont.
							W	X	Y	Z	
6E5	Eye	1	1	0	0	7	-	-	2-4	-	

The following test procedure must be employed:

After performing the standard "short" test, set all switches and levers as indicated on the roll chart. Depress the READ METER button and observe the circular fluorescent screen which should illuminate completely.

Next, throw the FIRST of the two levers indicated under the "Y" setting (in this example, lever 2) TO THE "Z" POSITION.

A good tube will now exhibit the typical angular shadow. Return the same first lever to its original "Y" position and note closure of the shadow angle. DISREGARD METER INDICATIONS.

Double Target Type. (Twin electron ray indicator tubes) This type is typified by type 6AF6 and 6AD6: For example, a typical roller chart line for type 6AD6 appears as follows:

TUBE	SECTION	A	B	C	D	E	Lever				Fil.Cont.
							W	X	Y	Z	
6AD6	Eye	1	2	0	0	7	-	-	3-4-5	-	2-7

The following test procedure must be employed:

After performing the standard "short test", set all switches and levers as indicated on the roller chart.

Depress the READ METER button and observe the circular fluorescent screen which should illuminate completely.

Next, throw the FIRST of the three levers under the "Y" settings (in this example, lever 3) to the "Z" position. A good tube will now exhibit a typical angular shadow.

Next, throw the SECOND of the three levers under the "Y" settings (in this example, lever 4) to the "Z" position. The tube, if good, will exhibit another angular shadow opposite the position occupied by the first shadow.

FM/AM Eye Tubes (Tuning indicator tubes). This type of electron ray tube is typified by type 6AL7 and is tested simply and positively through virtue of the flexibility of the PRECISION ELECTRONAMIC TUBE MASTER SERIES.

Test procedure is as follows:

After performing the standard "short" test, set all switches and levers as indicated on the roll chart.

Depress the READ METER button and observe the two rectangular fluorescent patterns on the screen of the tube.

With the "READ METER" button depressed, throw the FIRST lever listed under the "Z" setting on the roll chart to NORMAL POSITION. One rectangular pattern should then become shorter in length; then return this lever back to its original "Z" position.

Next, throw the SECOND lever listed under the "Z" setting to NORMAL POSITION. The other rectangular pattern should then become shorter in length; then return this lever back to its original "Z" position.

Next, throw the THIRD lever listed under the "Z" setting to NORMAL POSITION. BOTH ends of the pattern (opposite to the ends noted in 3 and 4 above) should then slightly decrease in length. Observe these ends closely as the movement may be slight.

Special Rectifier Test (Types 70A7 and 117N7)

Because of unusual internal connections (plate tied to one side of filament), the 70A7 and 117N7 RECTIFIER sections require slightly special test procedures.

70A7 - Rect. Section. Set all controls and levers in accordance with the roller chart. AFTER the tube has heated sufficiently, throw BOTH levers 2 and 7 rapidly to "W" position, then quickly depress the "READ METER" button. The first meter deflection obtained is the significant reading, inasmuch as the meter reading will quickly recede coincidental with cooling of the heater.

117N7 - Rect. Section. Set all controls in accordance with roller chart. ALL levers including levers 2, 6 and 7 must FIRST be in the NORMAL position. AFTER the tube has heated SUFFICIENTLY throw lever 2 rapidly to "W" position AND lever 7 rapidly to "Y" position, then quickly depress the "READ METER" button. The first meter deflection obtained is the significant reading, inasmuch as the meter reading will quickly recede coincidental with cooling of the heater.

Special Short Indication Notes. Listings for several tubes on the roller chart bear notes indicating that certain tubes "Must show short" on one or more push button numbers in addition to the "Fil.Cont." buttons. For normal usage any tube which does NOT show short on the designated buttons should be considered a defective tube.

However, due to multiple terminations of elements in many modern tubes, certain of these tubes may be salvaged for specific applications wherein the exact circuit application is known. Two of these cases are noted below.

- a) Tubes with the negative filament connection terminating in 2 base pins. Should one of the two base pin connections become open, the tube may be salvaged and the remaining pin may be used for negative filament termination only if the radio or electronic circuit will allow the use of that pin or BOTH.
- b) Tubes with an element such as plate, grid, etc. terminating at two or more base pins. Again, if one terminating pin remains connected to the element, the tube may be salvaged if the electronic circuit will allow the use of that pin and does not require the use of the open-circuited base pin or BOTH.

Gas Type Rectifiers OY4, OZ3 and OZ4

When testing these gas rectifier types, it will be noted that the meter pointer will remain, for a short interval, in the REPLACE sector and then deflect rapidly into the GOOD sector. This condition is normal for a good gas rectifier. However, should the meter pointer remain constantly in the REPLACE sector (after the lapse of several seconds), then the gas rectifier should be rejected.

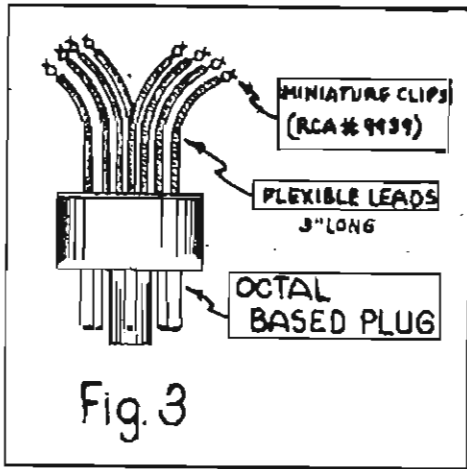
MULTI-SECTION TUBE TESTS.

Full-wave rectifiers and other multi-section tubes such as double triodes, triode-diodes, pentode-diodes, duo-diodes, frequency converters, pentode-triodes and pentode-rectifiers, contain either a second plate, a second triode or other combination of sections. These tubes are designated on the tube chart wherein each of these sections is separately described and settings given.

Treat each of these sections as if testing individual tubes for "TUBE PERFORMANCE QUALITY" as outlined previously: Set controls and levers designated for each section. The circuit employed in this instrument permits testing of the individual sections of multi-section tubes and a complete test must be given these types, since any one poor section will hinder proper operation.

SUB-MINIATURE TUBE TESTS.

The sub-miniature type of vacuum tube, (typified by types 1C8 and 2E31), employ closely-spaced flexible leads for element terminations in contrast to standard rigid pin basing. In addition, two bulb shapes are in production: The ROUND type with lead terminations arranged circularly, and the FLAT type with lead terminations arranged in one linear plane. Considering this condition and the fact that many sub-miniature types are directly soldered into operating circuits, with leads cut to varying lengths, PRECISION engineers offer a simple but FLEXIBLE AND UNIVERSAL sub-miniature tube test adapter unit with flexible leads and positive contact clips. This adapter unit permits positive connection of sub-miniature tubes with maximum facility regardless of lead length variations, and with a minimum possibility of inter-lead shorting. See Fig. 3 on following page.



This adapter, PRECISION No. G-110, is available as a separate optional item, in view of its specialized and limited application.

Adapter G-110 can be obtained directly from distributor or factory, at nominal cost. It can also be readily fabricated from standardly available parts through reference Fig. 3. Each lead is numbered 1 through 8 in accordance with the standard basing of the octal plug.

TUBE BRAND VARIATIONS.

In determining the tube test limits for this instrument, PRECISION engineers, in cooperation with the engineering divisions of leading tube manufacturers, have spent considerable time checking thousands of tubes from the production runs of leading tube manufacturers. From the information so gathered, the data on the roller chart, accompanying this instrument, has been compiled.

Inasmuch as extensive and intensive research is constantly being made in the radio tube industry to improve and stabilize the electrical and mechanical construction of tubes, it is not uncommon for a tube manufacturer to make a change in a particular tube's specifications. This change, though not necessarily readily noticeable in radio set performance, may nevertheless be made to improve tube stability and life. This change or variation may, however, indicate itself on the PRECISION ELECTRONOMIC MASTER and necessitate a new test limit for that particular type number.

Therefore, should a particular type number be found to vary consistently from the assigned average roller chart limits, merely redetermine the new CONTROL "D" average setting required to pass these tubes at approximately 70 (on 100 scale) of the green GOOD sector, and record same for future reference with respect to that manufacturer.

It can readily be seen that a consistently low or high reading for any particular tube type of a definite manufacturer is not to be taken as indicative of a poorer or better run of tubes, nor as a defect in the tube tester.

PILOT LAMP TESTS.

The miniature base socket, located in the center of the combination seven prong tube socket, accommodates all miniature screw and bayonet base type pilot lamps, Christmas tree bulbs, etc. Test procedure is as follows:

- a) Select proper filament voltage by setting CONTROL "E" to one of the following applicable voltages:

CONTROL "E"	VOLTS	POS.	VOLTS	POS.
	.75	1	10	9
	1.5	2	12.6	10
	2.0	3	18.9	11
	2.5	4	25	12
	3.3	5	35	13
	5.0	6	50	14
	6.3	7	70	15
	7.5	8	85	16
			117	17

- b) Set CONTROL "B" to position 1; turn instrument "ON"; adjust for "LINE"; insert bulb; NOTE: ALL LEVER SWITCHES MUST BE IN NORMAL POSITION.

D. BALLAST INFORMATION

BALLAST TESTING:

The neon short check circuit, in conjunction with the numbered Push-Button system provides a simple and positive method for obtaining the following ballast tests:

1. Point to point continuity test of each section of single unit as well as multiple section ballasts.

2. Tests for loose elements.
3. Tests for leakage between sections of multi-element ballasts.

NOTE: Frequently, one may encounter privately numbered ballast tubes, whose numbers have no relationship to the standard RMA Ballast Coding System. A uniform method of ballast resistor test can only be devised on the basis of some type of system. The PRECISION ballast test data, which follows, is related to the Standard RMA Code. Therefore, privately numbered ballasts should be referred to ballast manufacturer's replacement manuals for identification of this ballast in terms of the Standard RMA Code.

BALLAST RESISTOR CODE:

A sample and interpretation of the code appearing on standard octal type and replacement type ballasts are as follows:

(RMA STANDARD OCTAL TYPE) BK49AG
(REPLACEMENT TYPE) BKX55AG

The first letter "B" on both types, if used, indicates ballast action.
The letter "K", "L" or "M" on both types, indicates type of pilot lamp.
The letter "X", "Y" or "Z", immediately following the pilot lamp designation, denotes a particular SERIES of base wiring and appears only on replacement type ballasts.

The numerals "49" or "55", appearing on the respective types, indicate the total voltage drop produced by the ballast resistor including the pilot lamp.

The letter "A" or B-C-D-E-F-G-H-J, appearing on both types (and immediately following the voltage drop numerals) designates the particular BASE WIRING circuit used.

The letter "C" following the base wiring circuit designation on both types, if used, merely indicates octal base glass unit, and is of no importance as far as testing is concerned.

A letter "J", following the base wiring designation such as K55CJ, refers to an internal jumper between pins 3 and 4. (See TEST PROCEDURE)

Where the letter "P" or "PR" appears after the base wiring designation, such as K55CP or K55CPR, this indicates an additional resistor section is employed for the rectifier plate circuit. (See TEST PROCEDURE)

FOR STANDARD RMA OCTAL TYPE BALLASTS, THE BASE WIRING DESIGNATION (A-B-C-D-E-F-G-H-J) IS THE ONLY INFORMATION NECESSARY FOR TEST PURPOSES.

FOR REPLACEMENT TYPE BALLASTS, THE X, Y OR Z SERIES AND BASE WIRING DESIGNATION IS THE INFORMATION NECESSARY FOR THE TESTING OF THESE TYPES.

BALLAST TEST PROCEDURE:

The OCTAL SOCKET is used to accommodate all octal base type ballasts.

1. ALL CONTROLS AND LEVERS MUST BE IN THE FOLLOWING DESIGNATED POSITIONS BEFORE ANY ATTEMPT IS MADE TO TEST BALLAST UNITS:

Set CONTROL "A" to #1 position
Set CONTROL "B" to #12 position
Set CONTROL "C" to 0 position
Set CONTROL "D" to 0 position
Set CONTROL "E" to #18 position
Throw all levers to "NORMAL POSITION"

2. Turn instrument "ON" and adjust for "LINE" indication on meter. Insert the Ballast.
3. Classify the ballast unit to be tested according to its RMA BASE WIRING. The push buttons then to be depressed (one at a time), will correspond with the numbers designated on the appropriate schematic in Fig. 1 on following page.

For example, Ballast type BK86A is an "A" type base wired unit. It is checked by referring to diagram "A" of Fig. 1, which reveals that button 3, then button 7 must be depressed. Neon lamp should glow as each of these 2 buttons is depressed. (Should the ballast incorporate a jumper (for example from pin 3 to pin 4 as for ballast designation BK86AJ), neon glow must also be obtained when button 4 is depressed.)

CAUTION: NEVER DEPRESS "READ METER" BUTTON DURING BALLAST TESTS.

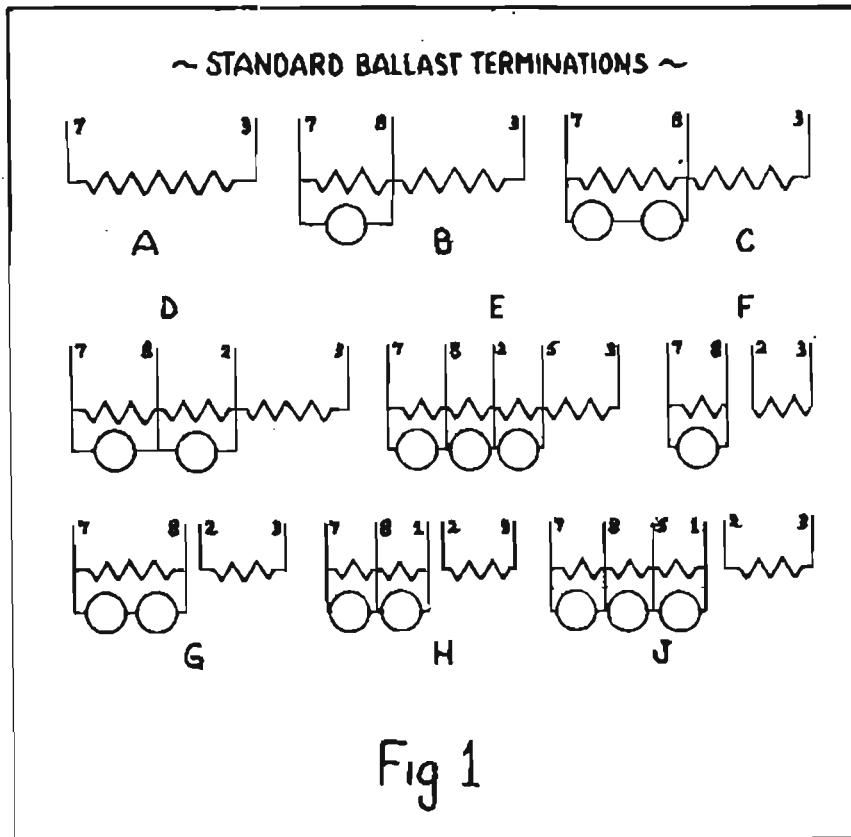
4. A continuous neon lamp glow, after each numbered push-button (called for) is depressed, indicates that the section is not open circuited. An open section (anywhere in the chain) will cause the neon lamp to extinguish when that section's numbered button is depressed.

It is advisable to tap the ballast units while each push-button (called for) is being depressed. In this manner, loose elements can be ascertained by noticing flickering instead of continuous glow of the neon lamp.

NOTE: Where letter "p" or "PR" follows the base wiring designation, such as BK86AP or BK86APR, then it is also necessary to depress button 5, in addition to the buttons required for the base wiring code "A".

LEAKAGE TESTS: Tests for leakages between sections of multi-section ballast units having BASE WIRING designations "F", "O", "H", or "J" are accomplished by depressing BOTH buttons 2 and 3 (simultaneously), with all other push-buttons remaining in the normal "UP" position. A neon lamp glow (if obtained), will indicate leakage or short between the two independent sections, and the ballast unit should be rejected as defective.

If any special ballast resistors are ever encountered (which cannot be identified with any standard RMA Coded basing), then merely determine the internal wiring from a service manual schematic and proceed as outlined for all ballast continuity checks.



E. QUALITATIVE PAPER CONDENSER TESTS

The jacks marked "Cond. Test" are used to obtain paper condenser tests by the sensitive neon lamp method. The self-contained power supply applies the necessary rectified voltage to the paper condenser.

PROCEDURE:

1. Connect instrument to power line and turn instrument "ON".
2. Set the "TUBE-COND." switch, (at lower left corner of panel) to "COND." position.
3. With CONTROL "A" set to #1 position, rotate "LINE ADJUSTMENT" knob to obtain "LINE" indication on meter.
4. Insert test leads into the "COND. TEST" jacks. Apply the free ends across the paper condenser to be tested and observe the indications of the neon lamp.

- a) A steady glow indicates a low D.C. resistance or short circuited condenser.
- b) A continuously flickering neon glow indicates a high resistance leakage condition.
- c) No indication of neon lamp indicates that the condenser under test is either open or the capacity is too small to cause the neon lamp to register visibly.
- d) A good condenser will cause a momentary neon lamp flash, the duration of which is dependent upon the capacity being checked. The greater the capacity, the longer the duration and vice versa.

Polarity need not be observed when testing paper condensers.

F. BATTERY TESTING INSTRUCTIONS

The ELECTRONOMIC MASTER SERIES incorporate a highly efficient, DIRECT READING, dynamic battery performance testing circuit, developed and designed by PRECISION engineers.

Stressing extreme simplicity in both operation and readability, the PRECISION battery performance test circuit, nevertheless, DIRECTLY accommodates ALL POPULAR portable-radio "A", "B" and "C" batteries, from 1.5 through 135 volts.

Through the use of a specially designed switching circuit, each battery is TESTED UNDER LOAD, simulating operating conditions, which the battery may be required to serve in a receiver. The load conditions ARE NOT ARBITRARILY CHOSEN. The same basis applies to the calibration of each range, so that batteries will DEFINITELY be rejected when their LOADED terminal voltage no longer comes up to the stability requirements of good radio reception or similar usage.

To merely test a battery by the simple voltmeter method is entirely inadequate and inconclusive for two very obvious reasons:

- 1) The terminal voltage of used batteries differs tremendously between the LOAD conditions of actual service and the negligible current drain of the usual 1000 ohms per volt or even more sensitive voltmeter. Accordingly, a 3 volt battery may very well read full 3 volts on a VOLTMETER and nevertheless drop to less than 1 volt when subjected to receiver OPERATING LOAD (current drain).
- 2) Aside from the above, without a calibrated battery tester, the operator would have to know at what point a battery is to be considered no longer fit for service.

THESE TWO CONDITIONS OF LOAD AND REJECT POINT ARE AUTOMATICALLY ACCOUNTED FOR WHEN EMPLOYING THE SIMPLE PRECISION DYNAMIC BATTERY PERFORMANCE TESTER.

* * * * *

HOW TO TEST BATTERIES

ALL SELECTORS MUST ALWAYS BE SET TO THEIR APPROPRIATE POSITIONS BEFORE MAKING ANY BATTERY TESTS.

- 1. Set Selector Switch "A" to "BATTERY TEST".
- 2. Selector "E", in addition to its functions in the tube testing circuit, serves as the combination voltage and load selector for battery testing, and is set to its required position as follows:

Pos. #1 - 1.5 volt batteries	Pos. #7 - 15 volt batteries
" #2 - 3 " "	" #8 - 22.5 " "
" #3 - 4.5 " "	" #9 - 30 " "
" #4 - 6 " "	" #10 - 45 " "
" #5 - 7.5 " "	" #11 - 67.5 " "
" #6 - 9 " "	" #12 - 90 " "
	" #13 - 135 " "

Once Control "A" is set to "BATTERY TEST", Selector "E" is the ONLY switch whose setting changes for batteries of different voltages. No other switches or controls are associated with battery testing.

- 3. Insert test leads into (-) and (+) "EXTERNAL TEST" pin jacks and apply test prods (in proper polarity) directly across appropriate terminals of battery under test (*). The meter will immediately indicate the performance condition of the battery on the "REPLACE-WEAK-GOOD" scale.

(*) CAUTION: IN THE EVENT THAT BATTERY TERMINALS ARE NOT IDENTIFIED AS TO POLARITY OR VOLTAGE, ALWAYS FIRST REFER TO RECEIVER OR BATTERY MANUFACTURER'S DATA SHEETS FOR THE NECESSARY INFORMATION BEFORE TESTING, TO AVOID THE POSSIBILITY OF OVERLOADING AND DAMAGING THE METER.

Batteries reading in the RED "REPLACE" sector should immediately and unquestionably be replaced.

Batteries reading in the YELLOW "WEAK" sector, although normally still capable of use for a short period of time, should also be replaced. "WEAK" batteries are known causes of slow "fade-outs", drift and other receiver instabilities.

NOTE 1. When testing batteries used in test equipment ohmmeter circuits, the battery may test "GOOD" and nevertheless, not give full scale meter deflection in the ohmmeter circuit. This is simply explained by reason that the rejection point of ohmmeter batteries is usually considerably above that for receivers, test oscillators and similar devices. Accordingly, as far as ohmmeters are concerned, a battery is considered unuseable when full scale ohmmeter adjustment can no longer be obtained in the particular tester in which it is employed, as described by the test equipment manufacturers.

This same battery, if it reads "GOOD", may yet nevertheless furnish some additional service in a portable radio, though, of course, its remaining useful life is considerably below that of a brand new battery, as its position on the battery test "GOOD" scale will indicate.

NOTE 2. All new batteries, regardless of voltage type, will, when new, and with the proper "E" setting, read at approximately the 66-72 indication on the 0-100 scale. SOME LITTLE VARIATION IS TO BE EXPECTED BETWEEN BATTERY BRANDS. Because one brand of new battery may read a little higher than another, it is not an indication of a superior battery. This is attributable to certain initial chemical conditions within the battery, and in service will all average around the same operating point.

G. SERVICE NOTES

The PRECISION ELECTRONAMIC TUBE AND TEST MASTERS have not only been designed to accurately indicate the overall performance merit of vacuum tubes, but have been constructed to withstand the abuses of general field use. All components have been exhaustively sample-tested by Precision's Test Engineering Laboratory and have been approved for general long-life usage. Generous mechanical design insures maximum resistance to physical damage. Rugged overall mechanical and electrical design is a major Precision precept.

However . . . it is impossible to fully control the two major contributions to in-operative Instruments namely:

- 1) Failure of components after instruments have passed PRECISION'S Performance Test Department and
- 2) Damage of components due to misoperation, accidental or otherwise, including failure to OBSERVE PRESCRIBED OPERATING PROCEDURES.

Therefore, in order to expedite rehabilitation of your instrument, (should the need arise), the most commonly encountered possible failures and recommended remedial measures therefor are listed as follows:

IMPORTANT NOTE: Your PRECISION ELECTRONAMIC TUBE OR TEST MASTER is a relatively complex instrument, and has been carefully inspected and calibrated by Precision's Performance-Test Department. - - DO NOT attempt repairs or modifications other than those listed below, unless upon specific recommendation by Precision's SERVICE DEPARTMENT.

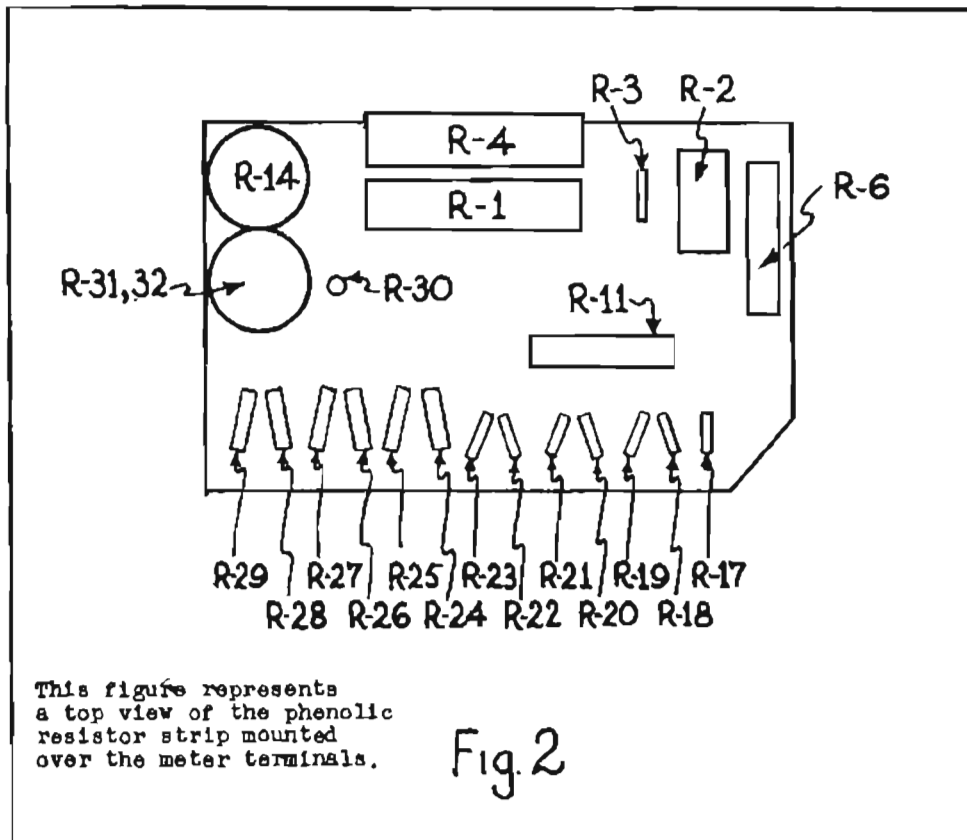
1. Instrument does not become energized upon application of line voltage and release of "OFF" button.
 - a) Remove 3AG, 1 ampere fuse from panel mounted fuse holder. If blown, replace with same size and type fuse only if the cause for blowing of fuse is known and has been remedied.

Reasons for fuse blowing may be:

Failure to short-check a tube before attempting quality test.
Shorted power transformer windings or other internal shorts.

2. Several type tubes with the same "A" switch setting do not provide meter merit indications.

- a) The load resistor associated with the particular "A" switch position may be open. Refer to schematic, then Fig. 2 (Below), disconnect the resistor in question and check with an ohmmeter. If open circuited, contact Precision's Service Department for a replacement resistor.
- 3. Meter does not indicate "Line" check when instrument is energized.
 - a) Remove 5Y3 rectifier tube and replace if defective.
- 4. "Line" adjustment is erratic.
 - a) Examine Line potentiometer item #R33("Line Adjustment") for shorted, open or worn turns. Unsolder the three leads and check for continuity with an ohmmeter. If defective, contact Precision's Service Department.
- 5. Erratic checks of several tubes with the same type base.
 - a) Examine that particular socket's contacts and check for being loose or broken. If new sockets are required, contact Precision's Service Department or your parts distributor.
- 6. Tubes with overhead caps check improperly.
 - a) Check cap leads for continuity especially at the cap end. Continuous use and attendant flexing of the wire occasionally causes breakage.



- 7. Improper operation of Battery Test at any one position of Switch "E":
 - a) Check Battery network resistors with an ohmmeter. Multiplier resistors associated with each position of switch "E" are shown in (Fig. 2) and schematic diagram.
 - b) Should the meter read off-scale on battery test, check shunt resistors R30, 31 and 32 for open circuit. All replacement items are obtainable through contact with Precision's Service Department.
- 8. Apparent defective operation of the instrument meter.
 - a) Repair and recalibration of the meter of an ELECTRONAMIC TUBE OR TEST MASTER is a delicate and highly specialized operation. DO NOT ATTEMPT TO REPAIR AN INOPERATIVE METER. - - Always contact Precision's Service Department should your meter appear defective or damaged.

SPECIAL NOTE RE REPAIR SERVICE

When returning a Precision instrument for repair-recalibration service, ALWAYS pack carefully in a strong, oversized corrugated shipping container, using a generous supply of padding such as excelsior, shredded paper, or crumpled newspaper. The original container and filling pads (if available) is ideal for this purpose. Please ship via Railway Express PREPAID and mark for:

PRECISION APPARATUS COMPANY, INC.
92-27 Horace Harding Blvd.
Elmhurst, L.I., N.Y.

ATT: Service Division

Fragile label should appear on at least four sides of the carton.

NEVER return an instrument unless it is accompanied by full explanation of difficulties encountered. The more explicit the details, the more rapidly your instrument can be handled and processed.

H. GENERAL NOTES AND INFORMATION

1. The 12 prong Socket: Although no known present day tubes have a base corresponding to this special 12 prong socket, it affords one convenient and centralized master location whereat all 12 tube testing circuits appear.

It therefore becomes a simple and straightforward matter to standardly accommodate any type of adapter that may ever be required for future tube designs up to and including 12 ELEMENT TERMINATIONS. All such future tube adapters would then employ the same standardly available 12 prong plug base.

2. TEST SET ACCURACY: See next page.

3. Roller Chart: New roller charts, including data for the latest type tubes, are printed periodically, and are issued free of charge, as a PRECISION service, upon individual request. It is VERY important that such requests list the following information:

- a) Model or Pattern No. (on panel or nameplate).
- b) Serial number of instrument (on nameplate).
- c) FORM NUMBER OF YOUR PRESENT ROLLER CHART (printed at the upper left hand corner of every roller chart).

4. A guarantee-registration card is enclosed with this instrument. Mail card at once for registration.

5. Tube Test Accessories Included:

- 1 Instruction manual
- 1 Tube test roller chart
- 1 Type 5Y3 rectifier tube
- 1 #40 6-8 volt pilot lamp
- 1 #NE-57 neon lamp
- 1 Registration card

* * * * *

PRECISION APPARATUS COMPANY, INC.
92-27 Horace Harding Blvd.
Elmhurst, L.I., N. Y.
U.S.A.

PRECISION

Electronamic TUBE TESTER

*Reg. U. S. Patent Office

PRINCIPLES OF ELECTRONAMIC TUBE TESTING

The All-Inclusive, Single-Operation, Positive Vacuum-Tube Performance Test!

More than just Mutual Conductance

☆ A most perplexing issue confronting the radio service engineer is the choice of tube testing equipment that will solve his tube test problems with greatest possible accuracy and reliability. With this thought foremost in mind, "PRECISION" engineers have devoted unlimited time in extensive vacuum tube testing research and development.

All varieties of tests were conducted upon thousands of tubes, at our own fully equipped laboratories and at the plants of leading tube manufacturers. From this, a vital point stood out above all others which dictated that "the resultant tube tester design cannot be based upon just one selected characteristic, such as just mutual conductance alone.

☆ A tube test based upon just any one characteristic does not fully vouchsafe the overall performance capabilities of an amplifying tube.

When a vacuum tube is "receiver tested", the electronic circuits DEMAND PERFORMANCE predicated upon the simultaneous presence and interaction of a multiplicity of tube characteristics including the following:

- Electron Emission
- Amplification Factor
- Plate Resistance
- Mutual Conductance (Transconductance)
- Plate Current
- Power Output, etc.

☆ To perform a whole series of such individual tests, in order to evaluate the overall merit of a tube, involves a collection of laboratory equipment hardly available to the general user of vacuum tubes. In addition, these characteristics are very closely knit to operating parameters. To the electronically trained mind, this means that the predictable characteristic values are dependent upon the great variety of voltage, current and load conditions to which the tube, under consideration, may be subjected. This further means that for ANY GIVEN TUBE TYPE, there is not just one value of mutual conductance or power output, etc. characteristic of that tube.

For this very reason tube characteristic manuals list CURVES (graphs) of operation to assist the design engineer in selecting tubes and circuit parameters which he desires to employ in the particular receiver or other electronic apparatus being developed.

The printed tabular data listed in tube manufacturers' manuals is not to be considered as fixed and inflexible ratings. Rather, such examples of operating conditions are given merely as guiding information. The tubes can be and are used under any suitable conditions within their maximum ratings. The curves provide the information to determine the proper operating points which will yield a required characteristic.

☆ One other aspect of the tube engineering problem is the question of rejection limits for any particular characteristic. This actually is a double-barrelled topic. New tube production is concerned with "Production Tolerance Limits." The electronic design engineer, and of course the apparatus which uses the tubes, are further interested in "Life Test End Limits."

Electronic apparatus, using vacuum tubes, must not only perform well with tubes which are within "Production Tolerance Limits," but should be able to perform until the tube has reached its "Life Test End Limit."

Detailed specifications of such "limits" are not generally available to the field and of course, specific numerical characteristics tests (such as micromhos) are inconclusive unless compared to a detailed table of limits paralleling actual test parameters or actual testing conditions.

Moreover, numerical characteristics readings (as micromhos) are not fully meaningful unless the tester duplicates the exact voltages and loads under which the particular tube in question is actually operating in the specific circuit from which it has been removed. It would furthermore require reference to the tube's plate family and transfer characteristic curves in order to determine what the numerical characteristic SHOULD be under the particular conditions in which the receiver is using this tube.

☆ Therefore, since the numerical value (such as micromhos) of a tube characteristic varies so widely with the applied element potentials, it is necessary to provide in TRUE vacuum tube characteristics measuring instruments:

1. Appropriate means for metering and reading each and every applied element potential.
2. Appropriate means for metering and reading each tube element current.
3. Suitable devices for adjustment and control of every element potential to duplicate operating conditions or to set up the specific operating point being investigated.

☆ It is obviously entirely impractical to construct such a device, for general tube testing, as would permit the operator to do this; not only from the viewpoint of simplicity of operation, but also in consideration of the extremely high cost and physical size.

Accordingly, such equipment (for actual numerical characteristics investigations) is only found in research and production laboratories, which are the only places wherein such elaborate equipment might ever be required.

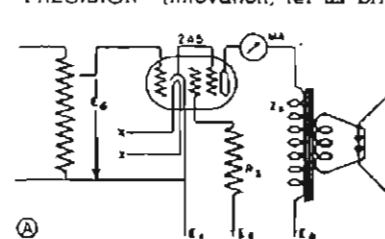
Needless to say, it would also not be practical for a tube tester's chart data to offer a multiplicity of alternative test settings for each and every tube.

☆ It has therefore been the constant purpose of Precision engineers to develop a tube tester circuit which would best meet the realistic needs of the electronic maintenance and radio service professions; to develop a basic test circuit affording the ultimate in correlation between test results and actual "in application" performance.

In the course of such investigations, it becomes conclusively apparent, that regardless of amplifier tube type number or variety of circuit applications, one phenomenon constantly manifests itself: the tube output (voltage or power) is the result of a plate current caused by an applied control grid voltage, which current must be adequate even at full peak operating conditions. This being a basic concept of amplifier tube operation (involving all operating characteristics), it led to the now famous, time-proven and tried, Precision "Electronamic" (Reg. U. S. Patent Office) tube tester.

☆ In offering the exclusive "Electronamic" tube tester, to the discriminating purchaser, Precision does so with a "performance checked" background. Such "performance" tests, particularly emphasized during World War II, were based upon the primary purpose of the instrument—TO FIND BAD TUBES!

☆ To familiarize ourselves with the principles of this exclusive "PRECISION" innovation, let us briefly observe the operation



of a simple pentode such as the 2A5, in a standard power amplifier stage, shown in diagram A, with the addition of a current indicating meter in the plate circuit.

The primary purpose of this tube is to deliver electrical output to the speaker through plate load Z_p , in the following

manner: with filament and plate supply operating and with zero signal applied to the input circuit, the plate milliammeter "MA" will indicate a steady current flow dependent upon cathode emissive power and the potentials of the interspaced elements. This zero signal meter reading is an indication of the tube's plate conductance. By applying an audio signal, Eg, to the input grid, THE PLATE CURRENT THROUGH Zp MUST VARY IN ACCORD WITH THE CHANGES IN GRID VOLTAGE. This is dependent upon the mutual conductance, plate resistance, amplification factor, load resistance, etc. The greater the grid voltage swing, the greater should be the plate current excursions, and accordingly, the louder the sound from the speaker.

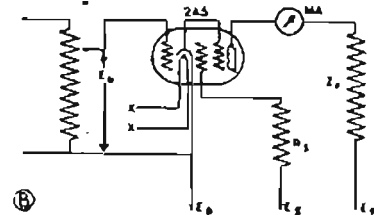
Let us now assume that a high order of peak grid signal voltage is applied, that is in keeping with the tube operating conditions, but severe distortion is nevertheless produced at the speaker, even though all circuit components, aside from the tube, are normal. This condition coincides with low peak plate current readings, and is usually caused by poor cathode structure and/or high plate resistance. In other words, an insufficient quantity of electrons is available to the plate circuit to handle peak power requirements.

Now let us suppose that with a normal signal applied to the input circuit, insufficient or no volume is obtained from the speaker, again assuming all circuit components, aside from the tube, are normal. This condition would indicate that the magnitude of plate current variations versus applied grid signal are not in keeping with the tube specifications and circuit requirements. This can be caused by a multiplicity of internal tube conditions, including reduced amplification factor, low mutual conductance, open, misplaced or shorted screen control grid, suppressor, or plate, even though the tube's cathode structure may be absolutely normal.

In the case of resistance-coupled amplifiers, the change in plate current produces a change in voltage drop across the plate load resistor. This is then passed on through suitable coupling means to the succeeding stage.

☆ It can therefore again be readily seen that the overall PERFORMANCE Merit of a tube is absolutely dependent on the ability of output plate current to respond to the applied grid voltage, over the full range of possible operating conditions, which involves More than just Mutual Conductance.

In Diagram B is shown the PRECISION "Electronomic" circuit set up to check the same type 2A5. Note that individual plate, screen and grid voltages and loads are applied to the respective elements of the tube under test and it is thereby being "Electronomically" tested as a pentode. PLATE SUPPLY VOLTAGES FROM 50 TO AS



HIGH AS 300 VOLTS ARE APPLIED TO THE TUBES UNDER TEST DEPENDING ON THE INDIVIDUAL TUBE'S REQUIREMENTS.

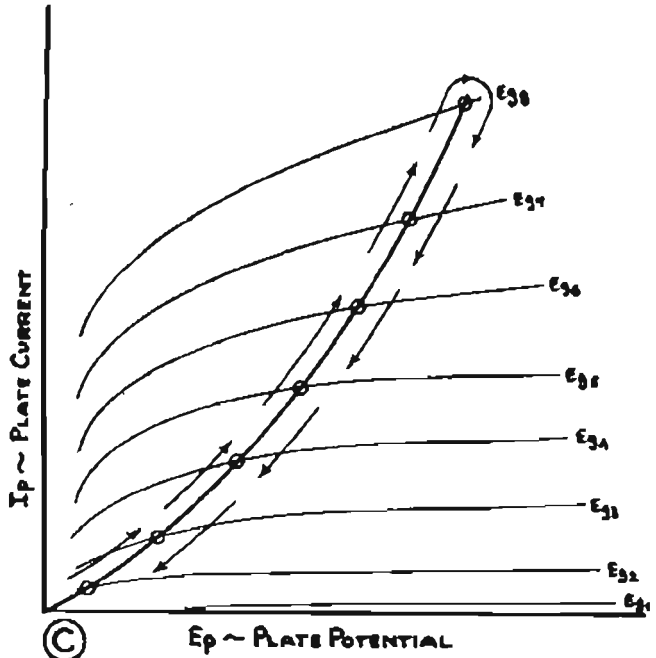
Appropriate treatment is accorded all amplifier tubes depending whether they are triodes, tetrodes, etc. Multi-purpose tubes are treated and tested as two or more completely independent tubes, WITHOUT REMOVING THE TUBE FROM THE TEST SOCKET. All plate, screen, grid and filament test voltages and respective loads are factory calibrated (per the roller chart) to assure the high tube performance correlation for which the "Electronomic" tube testers are known to the field, both civilian and the military — a performance check based upon the peak service for which the tube was designed rather than just an arbitrarily chosen low or midpoint.

☆ As previously outlined, the overall quality or performance merit of a tube is dependent on how well control grid voltage "controls" plate current over a complete range of tube application.

For this reason, the PRECISION "Electronomic" circuit places the TUBE MERIT METER in the plate or output section only of the tubes under test, and accordingly, the resultant quality or performance figure of merit involving a whole series of meaningful operational factors, not just one inconclusive characteristic, and will reject all tubes which do not come up

to the same standards from which the tube chart data is prepared.

☆ Much of the success of the "Electronomic" tube tester is attributable to the ELECTRO-DYNAMIC SWEEP nature of its circuit operation. Through application of appropriately phased individual element potentials, the tube under test is dynamically swept over a Path of Operation, on a sinusoidal time base, encompassing a wide range of plate family characteristics curves. In brief, the tube under test is made to perform on a basis which involves its ability to operate at a multiplicity of



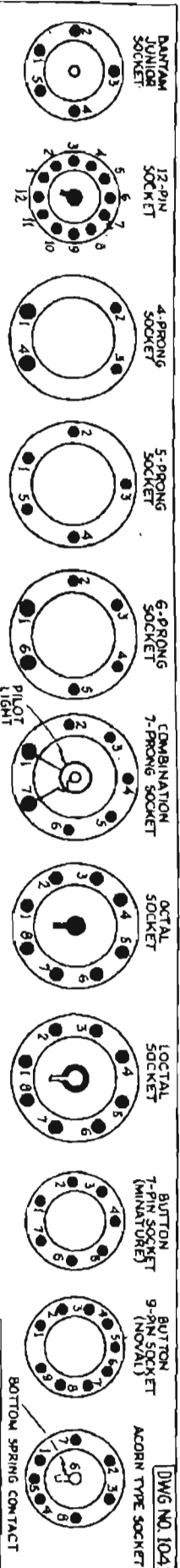
potential peak conditions rather than at just one arbitrarily chosen point.

Reference to diagram C graphically and directly illustrates this "Electronomic" picture. It is this encompassing Path of Operation, involving More than just Mutual Conductance, which is automatically integrated by the meter as the resultant figure of merit in the direct and non-confusing terms of REPLACE-WEAK-GOOD.

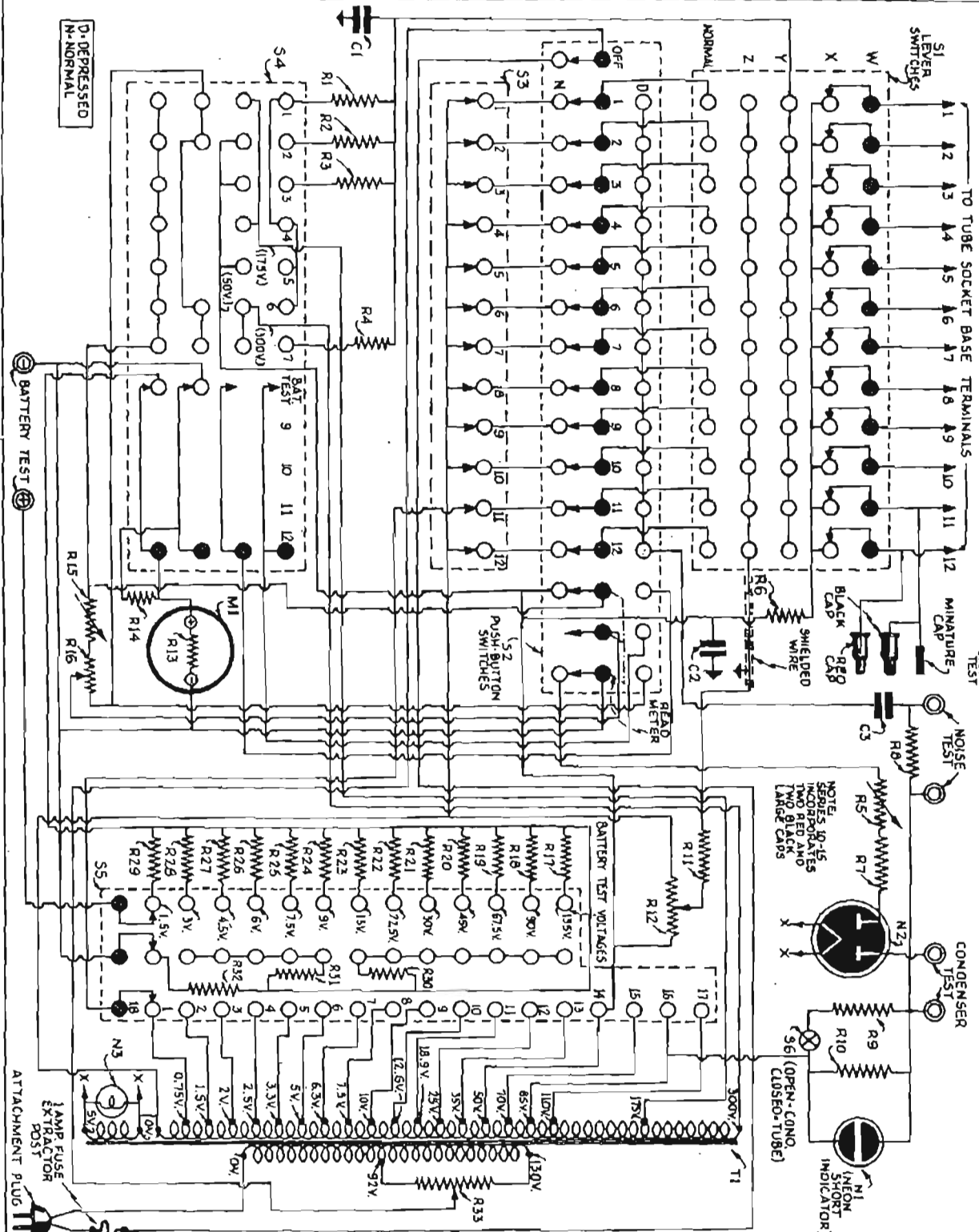
☆ The very nature of the "Electronomic" circuit necessitates and assures utmost instrument flexibility, to permit positive location and selection of all tube elements. In the "900" Series, this is accomplished via appropriate combination of a multi-purpose PUSH-BUTTON master element selector system plus simplified load-potential rotary switch design. In the "10-00" MASTER series, the "Electronomic" facilities are further magnified via design and use of a new LEVER TYPE master element selector system in combination with a multiple push-button short check unit, plus specially engineered rotary, load and element potential selectors.

☆ Aside from the development of this exclusive "Electronomic" circuit, full consideration was given to the design of a Hot Cathode Leakage test, inter-element Short Check, instantaneous Filament Continuity Test and Audible Noise Test, affording maximum reliability and accurate neon lamp indications to show up physical and mechanical tube defects such as cathode to filament leakage, shorted, loose or open elements, open filaments, etc. THE CATHODE LEAKAGE CIRCUIT SENSITIVITY IS ADJUSTED TO COMPLY WITH THE APPROVED LEAKAGE SPECIFICATIONS OF LEADING TUBE MANUFACTURERS. Additional independent circuit facilities appropriately accommodate all diodes, rectifiers, tuning eyes, gas rectifiers, thyratrons, etc.

☆ Modern methods of construction, telephone cabled wiring, Precision resistors and wire-wound impregnated shunts, and highest quality of materials combined with INDIVIDUAL DUAL CALIBRATION against laboratory standards, insures maximum accuracy and ruggedness for lasting satisfaction. NEW TUBE TEST DATA CHARTS ARE FURNISHED UPON REQUEST FROM TIME TO TIME AT ABSOLUTELY NO CHARGE — FOR THE LIFE OF YOUR "PRECISION" TUBE CHECKER.



DWG NO. 1041



PART NO.	SPECIFICATION
47	C3 0.1MFD. 400 V.W.
46	C2 .002 MFD. 400 V.W.
45	C1 .002 MFD. 400 V.W.
44	R33 300 Ω LINE
43	R32 0.556 Ω
42	R31 2 Ω
41	R30 15.07 Ω
40	R29 7.0 Ω
39	R28 58 Ω
38	R27 88 Ω
37	R26 118 Ω
36	R25 148 Ω
35	R24 178 Ω
34	R23 1490 Ω
33	R22 2,750 Ω
32	R21 3,000 Ω
31	R20 4,500 Ω
30	R19 6,750 Ω
29	R18 9,000 Ω
28	R17 13,500 Ω
27	R16 CONTROL 0-300 Ω (SPECIAL)
26	R15 40 Ω INTERNAL CALIBRATION CONTROL
25	R14 53.33 Ω
24	R13 160 Ω INTERNAL RESISTANCE
23	R12 CONTROL C. 1000 Ω (SPECIAL)
22	R11 500 Ω
21	R10 1.6 MEG Ω
20	R9 1.6 MEG Ω
19	R8 20K Ω
18	R7 35K Ω
17	R6 500 Ω
16	R5 14K Ω INTERNAL CALIBRATION CONTROL
15	R4 3K Ω
14	R3 5K Ω
13	R2 295 Ω
12	R1 2K Ω
11	T1 SPECIAL POWER TRANSFORMER
10	S6 BEST SHORT SELECTIVITY SWITCH
9	S5 SELECTOR SWITCH "E"
8	S4 SELECTOR SWITCH "A"
7	S3 SELECTOR SWITCH "B"
6	S2 14 SECTION PUSH-BUTTON ELEMENT SHORT TEST SELECTOR
5	S1 12 SECTION 5-POSITION MASTER LEVER SWITCH
4	N3 #406-8X01 PILOT LAMP
3	N2 5Y3-GT
2	N1 1MILLIAMPERE-160 Ω METER
1	M1 1MILLIAMPERE-160 Ω METER

PRECISION APPARATUS CO. INC.
ELMHURST, ILL. U.S.A.

TITLE: TUBE MASTER SCHEMATIC
SERIES 10-12 & 10-13
DRAWN BY: W. Kellum
CHECKED BY: W.R.
DATE: 6-15-47